

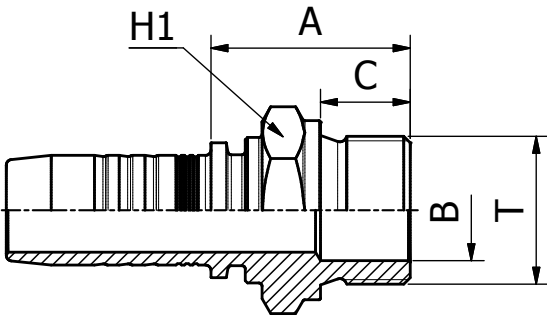
BS STANDARD CONNECTIONS

M20882F

**90° BSP O-RING FEMALE
COMPACT ELBOW 60° CONE
BS5200 / ISO 12151-6 (THRUST-WIRE NUT)**

FITTINGS 124

PART. REF.	HOSE BORE			Thread	DIMENSIONS mm						
	DN	Dash	inch	T	B	A	C	E	H1	H2	
M20882-04-04F	6	- 4	1/4"	1/4" - 19	4.0	20.0	4.1	22.0	14.0	19.0	
M20882-06-06F	10	- 6	3/8"	3/8" - 19	7.0	23.0	6.0	27.5	19.0	22.0	
M20882-08-08F	12	- 8	1/2"	1/2" - 14	9.3	25.0	6.5	31.0	22.0	27.0	
M20882-10-10F	16	- 10	5/8"	5/8" - 14	12.5	24.5	9.7	32.5	24.0	28.0	
M20882-12-12F	19	- 12	3/4"	3/4" - 14	15.0	37.5	8.5	36.0	27.0	32.0	
M20882-16-16F	25	- 16	1"	1" - 11	20.0	52.0	10.6	44.0	36.0	38.0	



BS STANDARD CONNECTIONS

M10610

BSP MALE FLAT SEAT

PART. REF.	HOSE BORE			Thread	DIMENSIONS mm					
	DN	Dash	inch	T	B	A	C	H1		
M10610-04-04	6	- 4	1/4"	1/4" - 19	6.0	25.5	11.0	19.0		
M10610-06-06	10	- 6	3/8"	3/8" - 19	9.5	28.0	12.0	22.0		
M10610-06-08	10	- 6	3/8"	1/2" - 14	13.0	30.5	14.0	27.0		
M10610-08-08	12	- 8	1/2"	1/2" - 14	13.0	31.0	14.0	27.0		
M10610-10-08	16	- 10	5/8"	1/2" - 14	13.0	31.0	14.0	27.0		
M10610-12-12	19	- 12	3/4"	3/4" - 14	18.0	35.5	16.0	32.0		